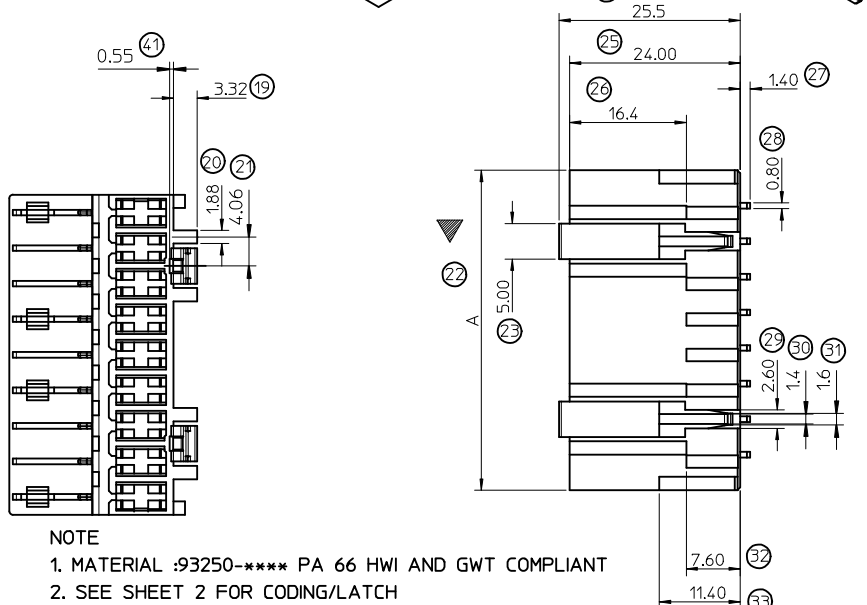
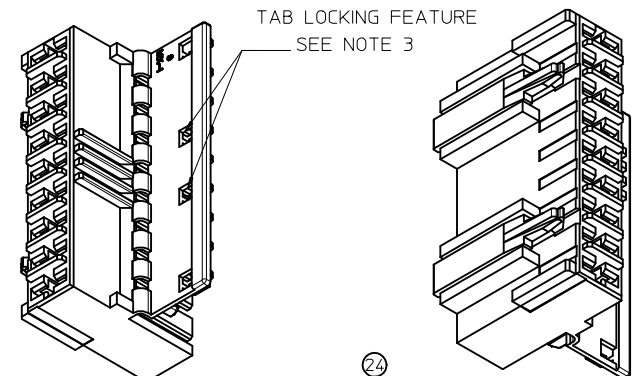
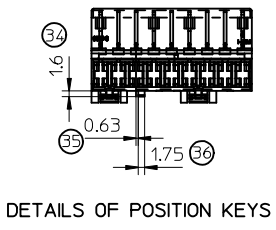


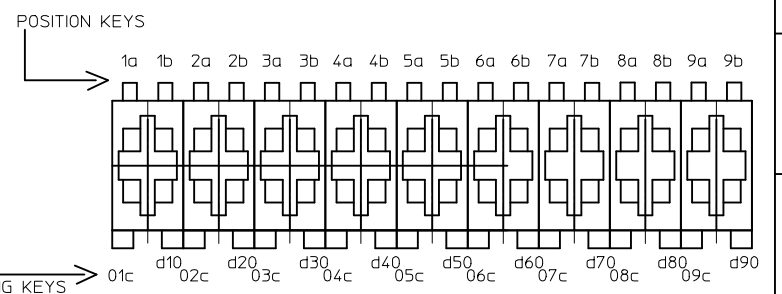
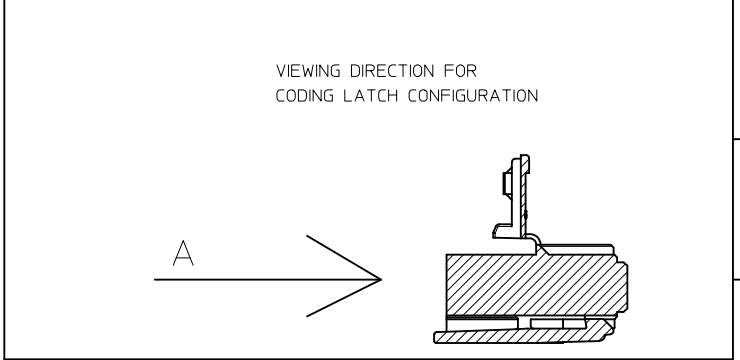
CIRCUIT SIZE	DIM A
3	14.8
4	19.8
5	24.8
6	29.8
7	34.8
8	39.8
9	44.8



- NOTE**
1. MATERIAL :93250-**** PA 66 HWI AND GWT COMPLIANT
 2. SEE SHEET 2 FOR CODING/LATCH CONFIGURATION FOR EACH PART NUMBER
 3. SEE SHEET 2-3 FOR TAB LOCKING FEATURE QUANTITY PER CIRCUIT SIZE
 4. PRODUCT SPECIFICATION : PS-93250-001
 5. PACKAGING SPECIFICATION : PK-93250-001

ADDED & CKT TABLE EC NO: IFC2015-0648 DRWN:BCAFFREY 2014/10/07 CHKD:BRUTLE 2014/10/10 APPR:MSHAMHAN 2014/10/31	QUALITY SYMBOLS $\nabla=0$ $\nabla=3$	GENERAL TOLERANCES (UNLESS SPECIFIED) <table border="1"> <thead> <tr> <th></th> <th>mm</th> <th>INCH</th> </tr> </thead> <tbody> <tr> <td>4 PLACES</td> <td>± ---</td> <td>± ---</td> </tr> <tr> <td>3 PLACES</td> <td>± ---</td> <td>± ---</td> </tr> <tr> <td>2 PLACES</td> <td>± 0.13</td> <td>± ---</td> </tr> <tr> <td>1 PLACE</td> <td>± 0.25</td> <td>± ---</td> </tr> </tbody> </table> ANGULAR ± 2 °		mm	INCH	4 PLACES	± ---	± ---	3 PLACES	± ---	± ---	2 PLACES	± 0.13	± ---	1 PLACE	± 0.25	± ---	DIMENSION STYLE MM ONLY	SCALE 1:1	DESIGN UNITS METRIC	THIRD ANGLE PROJECTION
		mm	INCH																		
4 PLACES	± ---	± ---																			
3 PLACES	± ---	± ---																			
2 PLACES	± 0.13	± ---																			
1 PLACE	± 0.25	± ---																			
DRAWN BY BMAGUIRE	DATE 2010/06/25	CHECKED BY DATE	TITLE RAST 5 CRIMP HOUSING HWI	APPROVED BY BMAGUIRE	DATE 2010/10/22	MATERIAL NO. SEE TABLE															
DRAFT WHERE APPLICABLE MUST REMAIN WITHIN DIMENSIONS			MOLEX INCORPORATED	DOCUMENT NO. SD-93250-001	SHEET NO. 1 OF 3	THIS DRAWING CONTAINS INFORMATION THAT IS PROPRIETARY TO MOLEX INCORPORATED AND SHOULD NOT BE USED WITHOUT WRITTEN PERMISSION															

MOLEX PART NUMBER	CIRCUIT SIZE	POSITION KEYS	CODING KEYS	LATCH TYPE	LATCH POSITION	VIEW FROM DIRECTION A	HEAT RESISTANCE	TAB LOCKING FEATURE QUANTITY
93250-3183	3	NONE	01C	STANDARD	1&2		HWI & GWT	2
93250-3283	3	NONE	03d	STANDARD	2&3		HWI & GWT	2
93250-4033	3	1b	01c 03c	STANDARD	1&2		HWI & GWT	2
93250-4003	3	3b	01c 03c	STANDARD	1&2		HWI & GWT	2
93250-4013	3	1b	01c d30	STANDARD	1&2		HWI & GWT	2
93250-4023	3	3b	01c d30	STANDARD	1&2		HWI & GWT	2
93250-4004	4	1b	03c d40	STANDARD	1&2 3&4		HWI & GWT	2
93250-4005	5	3b	d30	STANDARD	1&2 4&5		HWI & GWT	3
93250-4015	5	1A 5B	01c d30	STANDARD	1&2 2&3		HWI & GWT	3
93250-4006	6	1b	04C	STANDARD	1&2 5&6		HWI & GWT	3
93250-3077	7	ALL	ALL	STANDARD	2&3 6&7		HWI & GWT	4
93250-3087	7	NONE	04C	STANDARD	1&2 5&6		HWI & GWT	4
93250-3097	7	3a 4a	d30 d70	STANDARD	1&2 5&6		HWI & GWT	4



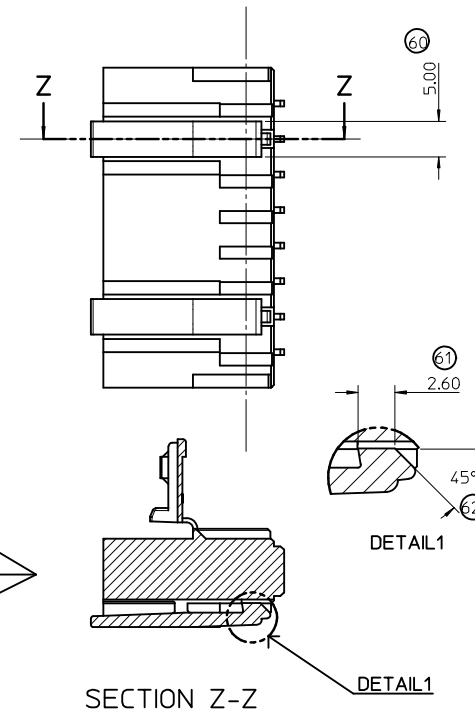
STANDARD LATCH POSITION
 WIDE LATCH POSITION

SEE SHEET 1 EC NO: IPG2015-0648 DRW:BCAFFREY 2014/10/07 CHKD:BRUTLE APPR:MSHAMMAN	QUALITY SYMBOLS	GENERAL TOLERANCES (UNLESS SPECIFIED)	DIMENSION STYLE	SCALE	DESIGN UNITS	THIRD ANGLE PROJECTION																											
	$\nabla=0$ $\nabla=0$ $\nabla=0$	<table border="1"> <thead> <tr> <th></th> <th>mm</th> <th>INCH</th> </tr> </thead> <tbody> <tr> <td>4 PLACES</td> <td>± ---</td> <td>± ---</td> </tr> <tr> <td>3 PLACES</td> <td>± ---</td> <td>± ---</td> </tr> <tr> <td>2 PLACES</td> <td>± 0.13</td> <td>± ---</td> </tr> <tr> <td>1 PLACE</td> <td>± 0.25</td> <td>± ---</td> </tr> </tbody> </table>		mm	INCH	4 PLACES	± ---	± ---	3 PLACES	± ---	± ---	2 PLACES	± 0.13	± ---	1 PLACE	± 0.25	± ---	<table border="1"> <thead> <tr> <th colspan="2">MM ONLY</th> </tr> </thead> <tbody> <tr> <td>DRAWN BY</td> <td>DATE</td> </tr> <tr> <td>BMAGUIRE</td> <td>2010/06/25</td> </tr> <tr> <td>CHECKED BY</td> <td>DATE</td> </tr> <tr> <td>APPROVED BY</td> <td>DATE</td> </tr> <tr> <td>BMAGUIRE</td> <td>2010/10/22</td> </tr> </tbody> </table>	MM ONLY		DRAWN BY	DATE	BMAGUIRE	2010/06/25	CHECKED BY	DATE	APPROVED BY	DATE	BMAGUIRE	2010/10/22	2:1	METRIC	<input checked="" type="checkbox"/> THIRD ANGLE PROJECTION
		mm	INCH																														
	4 PLACES	± ---	± ---																														
3 PLACES	± ---	± ---																															
2 PLACES	± 0.13	± ---																															
1 PLACE	± 0.25	± ---																															
MM ONLY																																	
DRAWN BY	DATE																																
BMAGUIRE	2010/06/25																																
CHECKED BY	DATE																																
APPROVED BY	DATE																																
BMAGUIRE	2010/10/22																																
DESCRIPTION	DRAFT WHERE APPLICABLE MUST REMAIN WITHIN DIMENSIONS	TITLE RAST 5 CRIMP HOUSING HWI	MOLEX INCORPORATED																														
REV		MATERIAL NO. SEE TABLE	DOCUMENT NO. SD-93250-001	SHEET NO. 2 OF 3																													

MOLEX PART NUMBER	CIRCUIT SIZE	POSITION KEYS	CODING KEYS	LATCH TYPE	LATCH POSITION	VIEW FROM DIRECTION A	HEAT RESISTANCE	TAB LOCKING FEATURE QUANTITY
93250-4008	8	NONE	d20 03c d60 07c	STANDARD	1&2 7&8		HWI & GWT	4

MOLEX PART NUMBER	CIRCUIT SIZE	POSITION KEYS	CODING KEYS	LATCH TYPE	LATCH POSITION	VIEW FROM DIRECTION A	HEAT RESISTANCE	TAB LOCKING FEATURE QUANTITY
93250-3089	9	4b 5a 5b 6a	01c 09d	STANDARD	2&3 7&8		HWI & GWT	5
93250-3289	9	5b	3d	STANDARD	1&2 6&7		HWI & GWT	5
93250-3069	9	4b 5a 5b 6a	01c 09d	WIDE	2&3 7&8		HWI & GWT	5
93250-3269	9	5b	3d	WIDE	1&2 6&7		HWI & GWT	5
93250-3270	9	4b 5a 5b 6a	01c 09d	WIDE	2&3 5 7&8		HWI & GWT	5
93250-3271	9	NONE	3d	WIDE	1&2 5 8&9		HWI & GWT	5

DETAILS OF WIDE LATCH
(ALL UNSPECIFIED
DIMENSION AS PER STANDARD)



SEE SHEET 1 EC NO: IFC2015-0648 DRWN:BCAFFREY 2014/10/07 CHKD:BRUTLE 2014/10/10 APPR:MSHAMHAN 2014/10/31	QUALITY SYMBOLS $\nabla=0$ $\nabla=0$ $\nabla=0$	GENERAL TOLERANCES (UNLESS SPECIFIED)		DIMENSION STYLE MM ONLY	SCALE 1:1	DESIGN UNITS METRIC	THIRD ANGLE PROJECTION
		4 PLACES ± --- ± --- 3 PLACES ± --- ± --- 2 PLACES ± 0.13 ± --- 1 PLACE ± 0.25 ± --- ANGULAR ± 2°	mm INCH ± --- ± --- ± --- ± --- ± --- ± --- ± --- ± ---	DRAWN BY BMAGUIRE	DATE 2010/06/25	TITLE RAST 5 CRIMP HOUSING HWI	
K	REV	DRAFT WHERE APPLICABLE MUST REMAIN WITHIN DIMENSIONS		APPROVED BY BMAGUIRE	DATE 2010/10/22	Molex MOLEX INCORPORATED	
		SIZE A2		MATERIAL NO. SEE TABLE		DOCUMENT NO. SD-93250-001	SHEET NO. 3 OF 3